

FLOS

KELVIN LED BASE

Mounting	Base
Lamps description	30 TOP LED 3000K 325 lm total - CRI 95 7,5W - Green Mode
Environment	Indoor
Finish	Anthracite, White, Chrome, Black

Technical description Adjustable table lamp providing direct lighting, with double pantograph arm and adjustable head. Fused aluminum alloy body. Die-cast aluminum outer head, with injection-molded methacrylate diffuser. BASE external cover in ABS. Extruded aluminum alloy square tube (12x12mm) structure, machined mechanically, so that it houses a stainless steel load-compensation spring and injection-molded acetal resin sliding blocks. 3 mm diameter wire outer tie rods. Available in white, anthracite, black or chrome finishes. The ON/OFF switch is electronic with optical mechanism located in the head. Two possibilities to choose: - PERSONAL MODE (orange switch) Dimm the light intensity you like. - GREEN MODE (green switch) Now Kelvin LED becomes Green, saving even more energy thanks to his automatic compensation of the ambience light.

ELECTRICAL

Transformer availability	Included
Transformer mounting	On plug
Emergency	Without
Voltage (V)	100/240V 50/60 Hz

PHYSICAL

Supply	Power cord
Cord length (mm)	1800
Construction material	Aluminum
Weight (kg)	4.8



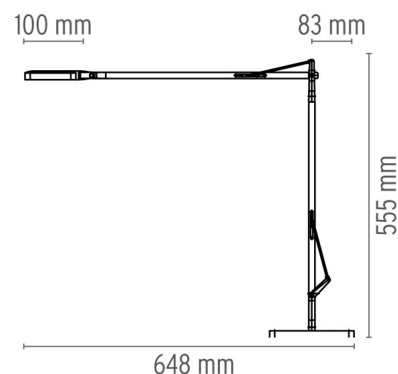
Kelvin LED Base

designed by Antonio Citterio with Toan Nguyen

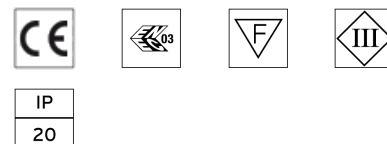
Adjustable table lamp providing direct lighting

- F3311030 Shiny black
- F3311009 Shiny white
- F3311033 Anthracite
- F3311057 Chrome

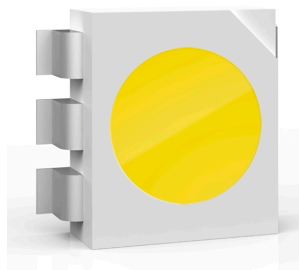
DIMENSIONS



CERTIFICATIONS



Kelvin LED Base . Lamps



TOP LED 1W Special Base

Lamp wattage:

1 W

Lamp category:

LED

Socket:

Special base

Lamp type:

LED



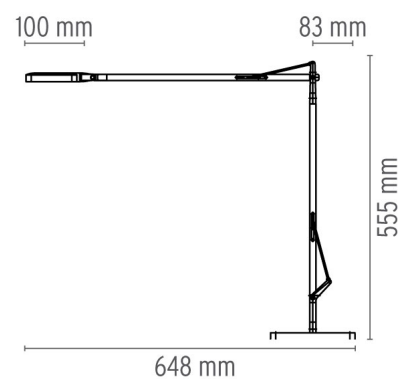
Kelvin LED Base

designed by Antonio Citterio with Toan Nguyen

Adjustable table lamp providing direct lighting

- F3311030 Shiny black
- F3311009 Shiny white
- F3311033 Anthracite
- F3311057 Chrome

DIMENSIONS



CERTIFICATIONS

